

# REROSA-HYDRAULIKA, s.r.o.

## 6 WAYS ROTARY DIVERTER FLOW VALVE

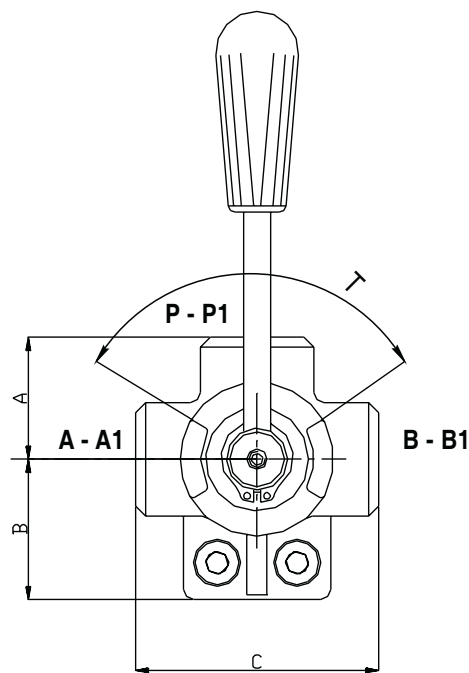
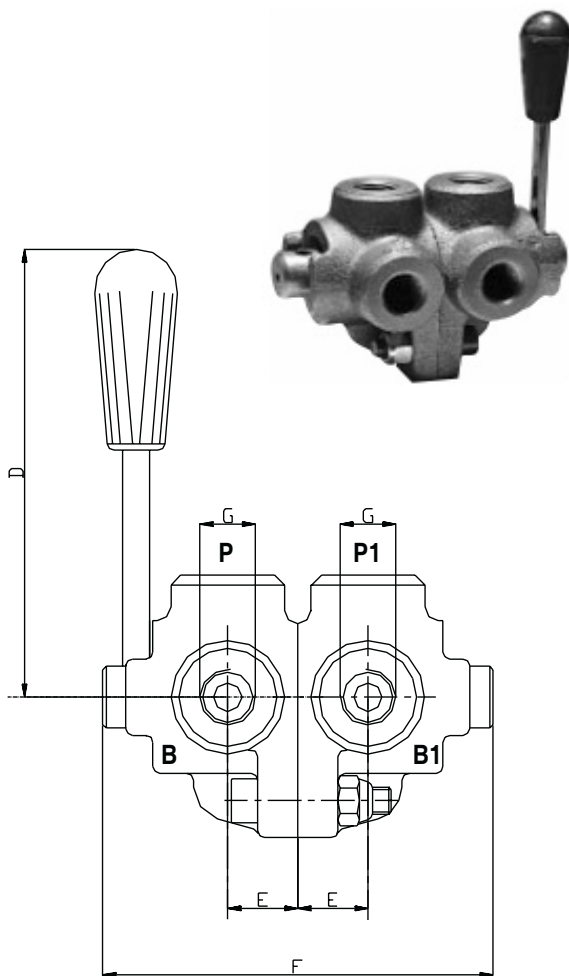
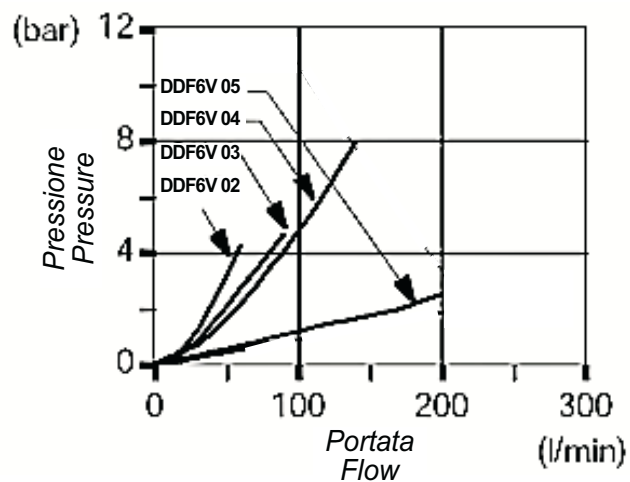
## DDF 6 V

### TECHNICAL FEATURES

Caratteristiche - Rating

Dimensione/Dimension	02	03	04	05	
Pressione max/Max Pressure	bar	315	280	250	250
Portata max/Max Flow	l/min	60	90	120	180

N.B.: per l'utilizzo di altri parametri vogliate consultarci  
Note: where measurements are critical request certified drawings



Dimensioni e pesi - External dimension and weight

Dimensione/Dimension	A	B	C	D	F	G	G GAS	G NPT	G SAE	T°	Peso Weight kg
02	36	42	73	125	21	124	3/8	3/8	3/4-16	100	1.76
03	43	53	85	125	24	140	1/2	1/2	7/8-14	100	2.90
04	47	58	91	125	28	160	3/4	3/4	11/16-12	100	3.70
05	51	64	98	160	31.5	180	1	1	15/16-12	100	5.20