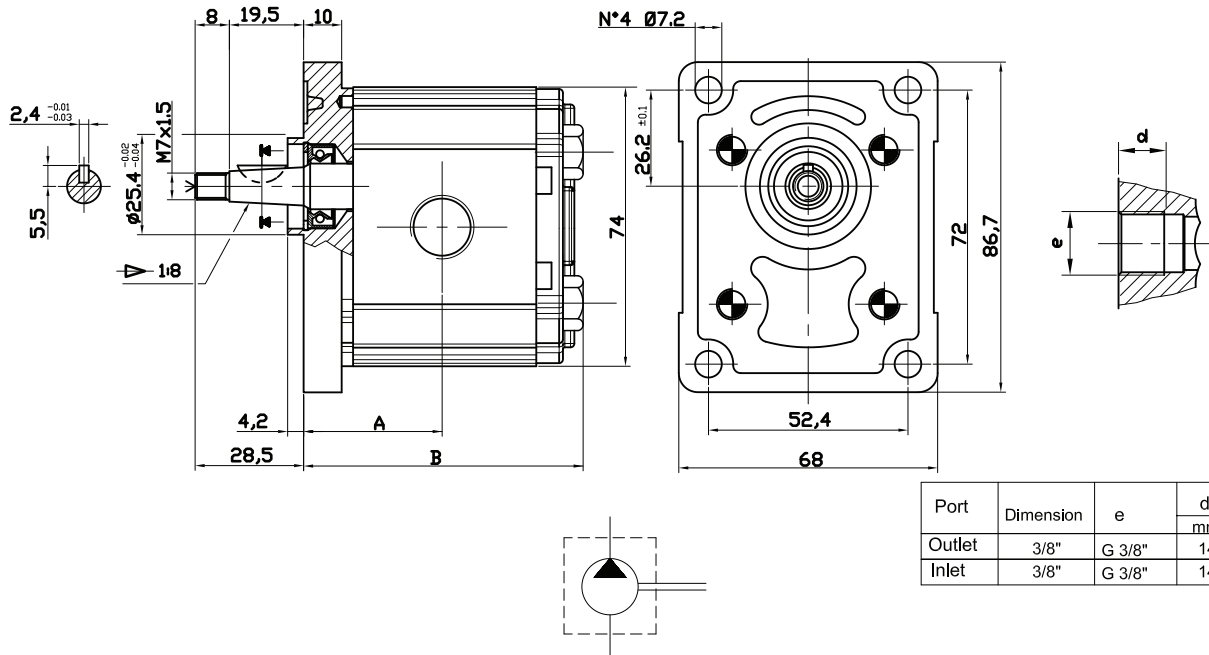


# Zubové čerpadla OT100

## GROUP 1 PUMPS- EUROPEAN STANDARD

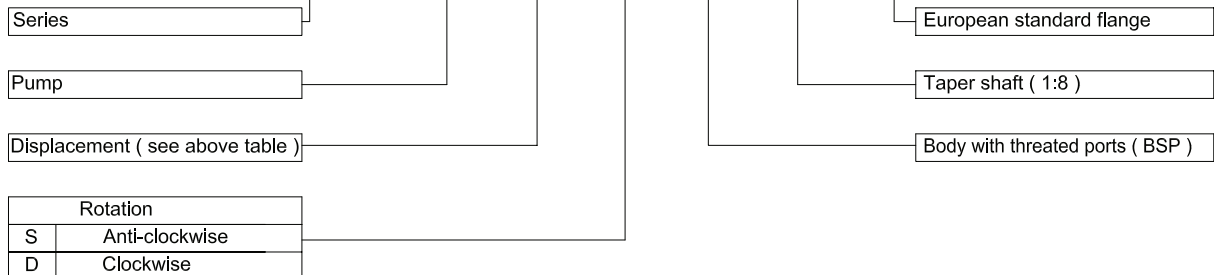
VERSION: G18 P1



Type	Displacement (cc/rev)	Max working pressure P1 (bar)	Peak pressure P3 (bar)	Max speed (r.p.m)	Dimension		Absorbed torque at 150 bar (Nm)	Code ( Anti-clockwise )	Code ( Clockwise )
					A	B			
<del>OT 100 P07</del>	0.73	200	240	5000	31.30	64.5	1.8	PS1007061S	PS1007061D
<del>OT 100 P11</del>	1.05	240	280	5000	31.90	65.6	2.4	PS1007062S	PS1007062D
<del>OT 100 P16</del>	1.45	260	300	5000	32.75	67.3	4.2	PS1007063S	PS1007063D
<del>OT 100 P20</del>	1.80	260	300	5000	33.45	68.7	5.2	PS1007064S	PS1007064D
<del>OT 100 P25</del>	2.45	260	300	5000	34.50	70.8	6.7	PS1007065S	PS1007065D
<del>OT 100 P32</del>	3.05	260	300	5000	35.50	72.8	8.3	PS1007066S	PS1007066D
<del>OT 100 P40</del>	3.80	260	300	4500	36.90	75.6	10.1	PS1007067S	PS1007067D
<del>OT 100 P49</del>	4.70	240	280	4500	38.45	78.7	12.7	PS1007068S	PS1007068D
<del>OT 100 P58</del>	5.55	200	240	4000	40.00	81.8	15.0	PS1007069S	PS1007069D
<del>OT 100 P65</del>	6.25	190	230	3750	41.25	84.3	16.8	PS1007070S	PS1007070D
<del>OT 100 P79</del>	7.60	170	220	3500	43.60	89.0	20.5	PS1017071S	PS1017071D

### EXAMPLE OF ORDERING CODE

OT100 P 20 S / G 18 P1



AVAILABLE FOR QUANTITIES