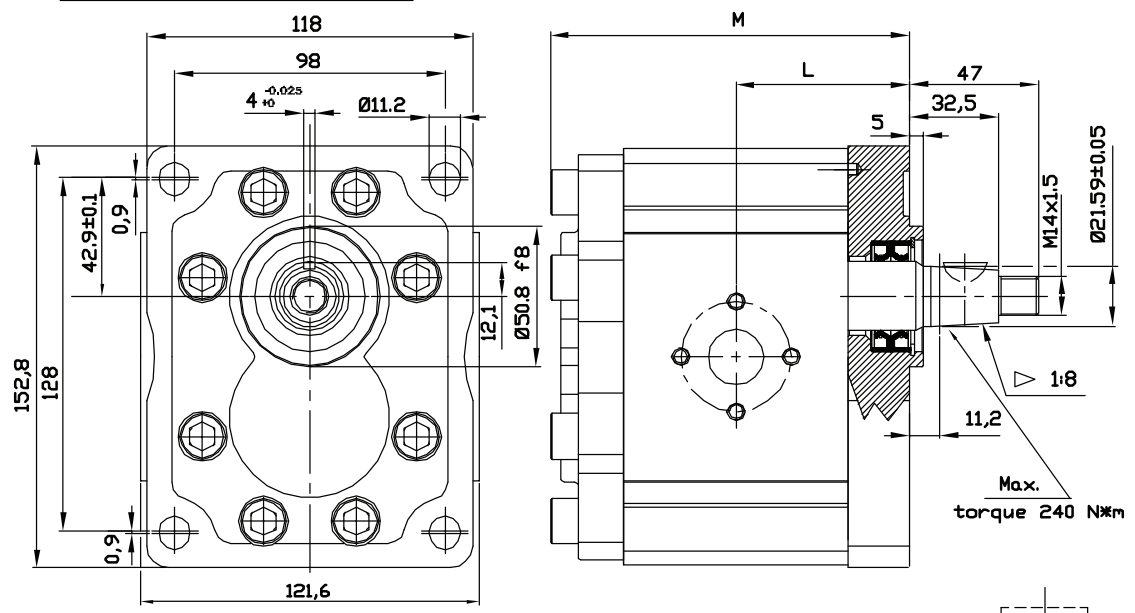
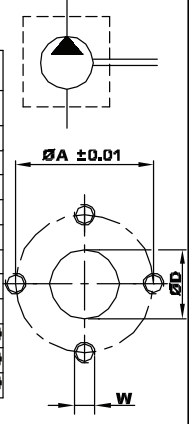


GROUP 3 PUMPS- EUROPEAN STANDARD

VERSION: P38 P3

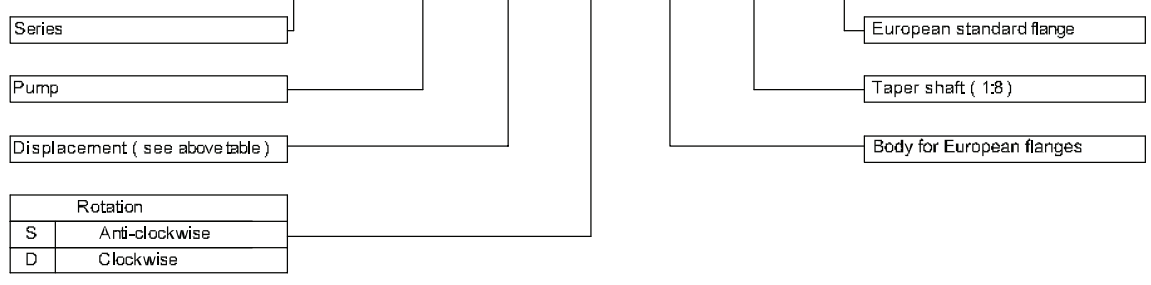


| Type | Displacement (cc/rev) | Max working pressure P1 (bar) | Peak pressure P3 (bar) | Max speed (r.p.m) | Dimension | | Inlet port | | | Outlet port | | |
|------------|--------------------------|----------------------------------|---------------------------|----------------------|-----------|-------|------------|----|-----|-------------|----|-----|
| | | | | | L | M | ØD | ØA | W | ØD | ØA | W |
| OT 300 P22 | 22 | 260 | 300 | 3000 | 57,4 | 119,3 | 27 | 51 | M10 | 19 | 40 | M8 |
| OT 300 P28 | 28 | 260 | 300 | 3000 | 59,7 | 123,7 | 27 | 51 | M10 | 19 | 40 | M8 |
| OT 300 P32 | 32 | 260 | 300 | 3000 | 61,2 | 126,9 | 27 | 51 | M10 | 19 | 40 | M8 |
| OT 300 P38 | 38 | 240 | 280 | 3000 | 63,5 | 131,5 | 27 | 51 | M10 | 19 | 40 | M8 |
| OT 300 P42 | 42 | 240 | 280 | 3000 | 65,0 | 134,5 | 27 | 51 | M10 | 19 | 40 | M8 |
| OT 300 P48 | 48 | 240 | 280 | 3000 | 72,3 | 149,1 | 27 | 51 | M10 | 19 | 40 | M8 |
| OT 300 P53 | 53 | 220 | 250 | 3000 | 74,2 | 152,9 | 27 | 51 | M10 | 19 | 40 | M8 |
| OT 300 P63 | 63 | 200 | 240 | 2100 | 78,0 | 160,5 | 27 | 51 | M10 | 19 | 40 | M8 |
| OT 300 P73 | 73 | 180 | 210 | 2100 | 81,9 | 168,2 | 36 | 62 | M12 | 27 | 51 | M10 |
| OT 300 P82 | 82 | 170 | 200 | 2100 | 85,3 | 175,1 | 36 | 62 | M12 | 27 | 51 | M10 |
| OT 300 P90 | 90 | 150 | 180 | 2100 | 88,3 | 181,1 | 36 | 62 | M12 | 27 | 51 | M10 |



EXAMPLE OF ORDERING CODE

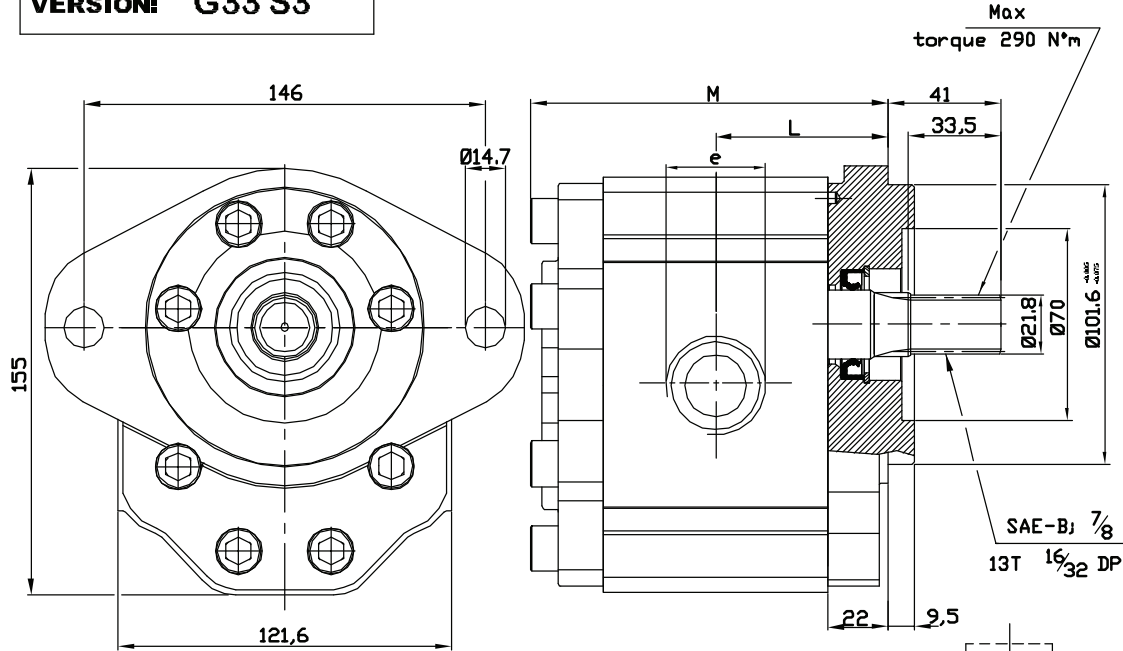
OT300 P 28 S / P 38 P3



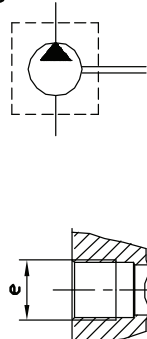
AVAILABLE FOR QUANTITIES

GROUP 3 PUMPS- SAE B STANDARD

VERSION: G33 S3

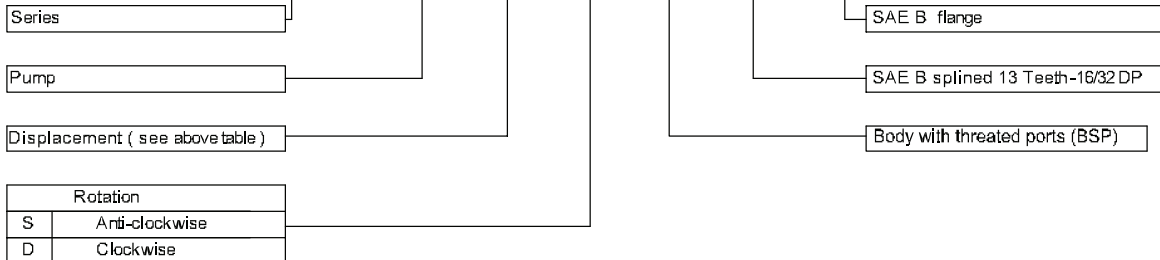


| Type | Displacement (cc/rev) | Max working pressure P1 (bar) | Peak pressure P3 (bar) | Max speed (r.p.m) | Dimension L M | | Inlet port e | Outlet port e |
|------------|--------------------------|----------------------------------|---------------------------|----------------------|------------------|-------|-----------------|------------------|
| | | | | | (mm) | | | |
| OT 300 P22 | 22 | 260 | 300 | 3000 | 57,4 | 119,3 | G 1 | G 3/4 |
| OT 300 P28 | 28 | 260 | 300 | 3000 | 59,7 | 123,7 | G 1 | G 3/4 |
| OT 300 P32 | 32 | 260 | 300 | 3000 | 61,2 | 126,9 | G 1 | G 3/4 |
| OT 300 P38 | 38 | 240 | 280 | 3000 | 63,5 | 131,5 | G 1 | G 3/4 |
| OT 300 P42 | 42 | 240 | 280 | 3000 | 65,0 | 134,5 | G 1 | G 3/4 |
| OT 300 P48 | 48 | 240 | 280 | 3000 | 72,3 | 149,1 | G 1 | G 3/4 |
| OT 300 P53 | 53 | 220 | 250 | 3000 | 74,2 | 152,9 | G 1 | G 3/4 |
| OT 300 P63 | 63 | 200 | 240 | 2100 | 78,0 | 160,5 | G 1+1/4 | G 3/4 |
| OT 300 P73 | 73 | 180 | 210 | 2100 | 81,9 | 168,2 | G 1+1/4 | G 1 |
| OT 300 P82 | 82 | 170 | 200 | 2100 | 85,3 | 175,1 | G 1+1/4 | G 1 |
| OT 300 P90 | 90 | 150 | 180 | 2100 | 88,3 | 181,1 | G 1+1/4 | G 1 |



EXAMPLE OF ORDERING CODE

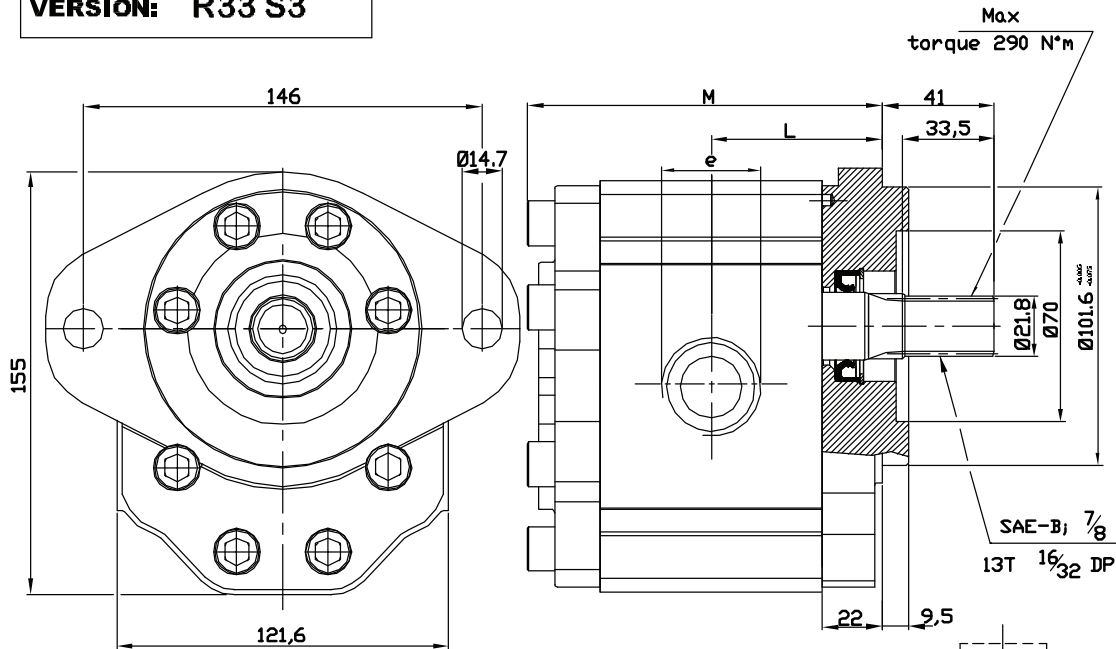
OT300 P 28 S / G 33 S3



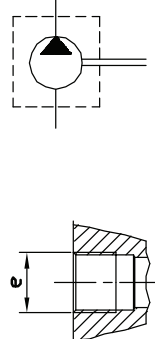
AVAILABLE FOR QUANTITIES

GROUP 3 PUMPS- SAE B STANDARD

VERSION: R33 S3

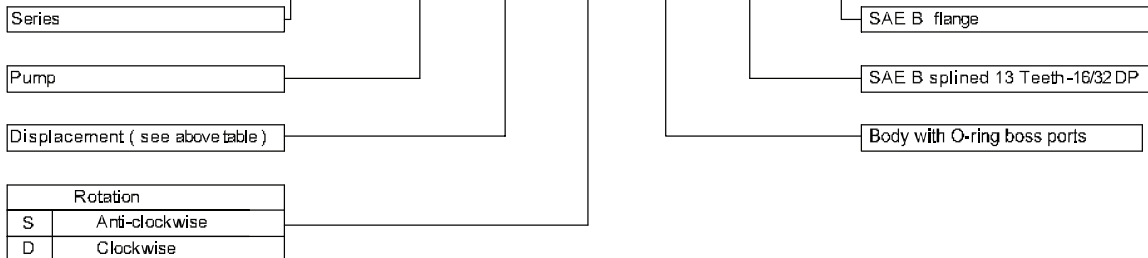


| Type | Displacement (cc/rev) | Max working pressure P1 (bar) | Peak pressure P3 (bar) | Max speed (r.p.m) | Dimension L M | | Inlet port e | Outlet port e |
|------------|--------------------------|----------------------------------|---------------------------|----------------------|------------------|-------|-----------------|------------------|
| | | | | | (mm) | | | |
| OT 300 P22 | 22 | 260 | 300 | 3000 | 57,4 | 119,3 | 1-5/16" UNF | 1-1/16" UNF |
| OT 300 P28 | 28 | 260 | 300 | 3000 | 59,7 | 123,7 | 1-5/16" UNF | 1-1/16" UNF |
| OT 300 P32 | 32 | 260 | 300 | 3000 | 61,2 | 126,9 | 1-5/16" UNF | 1-1/16" UNF |
| OT 300 P38 | 38 | 240 | 280 | 3000 | 63,5 | 131,5 | 1-5/8" UNF | 1-5/16" UNF |
| OT 300 P42 | 42 | 240 | 280 | 3000 | 65,0 | 134,5 | 1-5/8" UNF | 1-5/16" UNF |
| OT 300 P48 | 48 | 240 | 280 | 3000 | 72,3 | 149,1 | 1-5/8" UNF | 1-5/16" UNF |
| OT 300 P53 | 53 | 220 | 250 | 3000 | 74,2 | 152,9 | 1-5/8" UNF | 1-5/16" UNF |
| OT 300 P63 | 63 | 200 | 240 | 2100 | 78,0 | 160,5 | 1-5/8" UNF | 1-5/16" UNF |
| OT 300 P73 | 73 | 180 | 210 | 2100 | 81,9 | 168,2 | 1-7/8" UNF | 1-5/8" UNF |
| OT 300 P82 | 82 | 170 | 200 | 2100 | 85,3 | 175,1 | 1-7/8" UNF | 1-5/8" UNF |
| OT 300 P90 | 90 | 150 | 180 | 2100 | 88,3 | 181,1 | 1-7/8" UNF | 1-5/8" UNF |



EXAMPLE OF ORDERING CODE

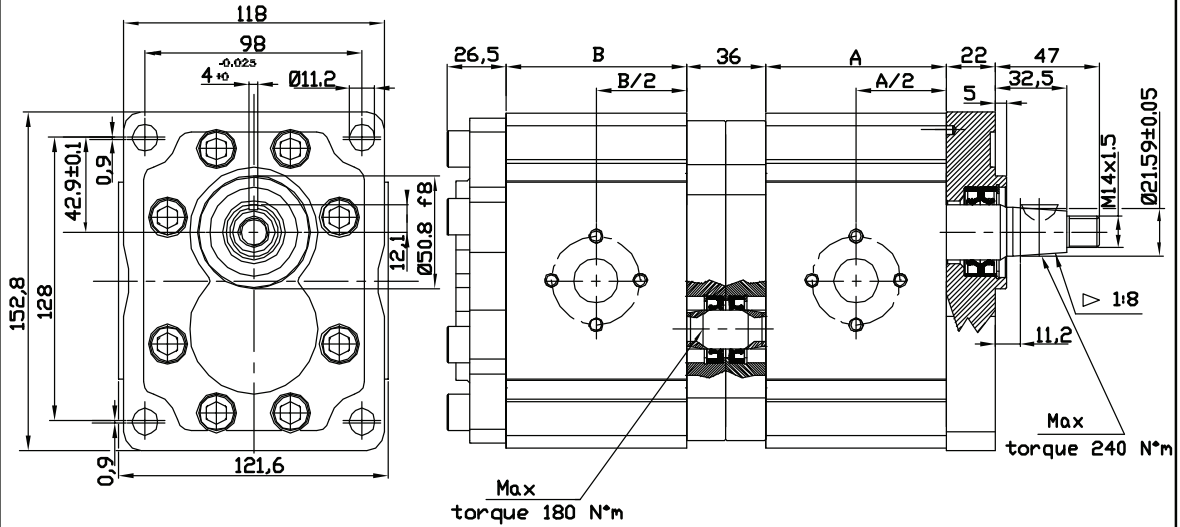
OT300 P 28 S / R 33 S3



AVAILABLE FOR QUANTITIES

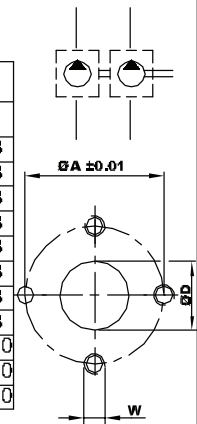
GROUP 3 PUMPS- TANDEM

VERSION: P38 P3



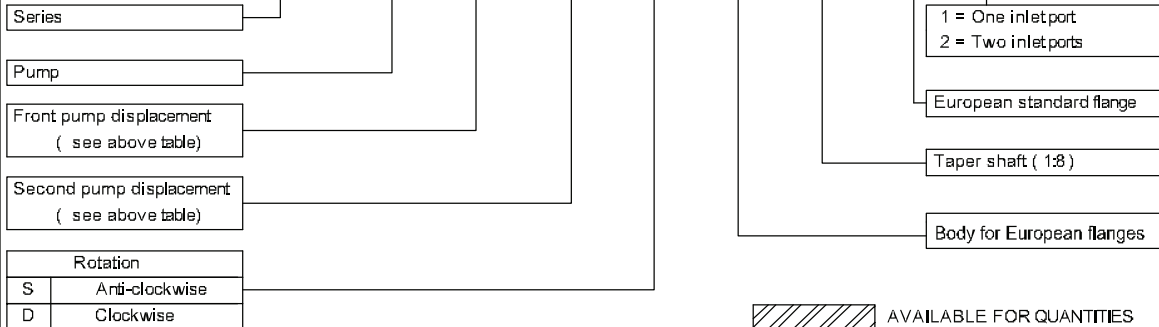
NOTE: The biggest displacement pump must be in the front position

| Type | Displacement (cc/rev) | Max working pressure P1 (bar) | Peak pressure P3 (bar) | Max speed (r.p.m) | Dimension L M | | Inlet port | | | Outlet port | | |
|------------|--------------------------|----------------------------------|---------------------------|----------------------|------------------|-------|------------|----|-----|-------------|----|-----|
| | | | | | (mm) | (mm) | ØD | ØA | W | ØD | ØA | W |
| OT 300 P22 | 22 | 260 | 300 | 3000 | 70,8 | 70,8 | 27 | 51 | M10 | 19 | 40 | M8 |
| OT 300 P28 | 28 | 260 | 300 | 3000 | 75,4 | 75,4 | 27 | 51 | M10 | 19 | 40 | M8 |
| OT 300 P32 | 32 | 260 | 300 | 3000 | 78,4 | 78,4 | 27 | 51 | M10 | 19 | 40 | M8 |
| OT 300 P38 | 38 | 240 | 280 | 3000 | 83,0 | 83,0 | 27 | 51 | M10 | 19 | 40 | M8 |
| OT 300 P42 | 42 | 240 | 280 | 3000 | 86,0 | 86,0 | 27 | 51 | M10 | 19 | 40 | M8 |
| OT 300 P48 | 48 | 240 | 280 | 3000 | 100,6 | 100,6 | 27 | 51 | M10 | 19 | 40 | M8 |
| OT 300 P53 | 53 | 220 | 250 | 3000 | 104,4 | 104,4 | 27 | 51 | M10 | 19 | 40 | M8 |
| OT 300 P63 | 63 | 200 | 240 | 2100 | 112,0 | 112,0 | 27 | 51 | M10 | 19 | 40 | M8 |
| OT 300 P73 | 73 | 180 | 210 | 2100 | 119,7 | 119,7 | 36 | 62 | M12 | 27 | 51 | M10 |
| OT 300 P82 | 82 | 170 | 200 | 2100 | 126,6 | 126,6 | 36 | 62 | M12 | 27 | 51 | M10 |
| OT 300 P90 | 90 | 150 | 180 | 2100 | 132,6 | 132,6 | 36 | 62 | M12 | 27 | 51 | M10 |



EXAMPLE OF ORDERING CODE

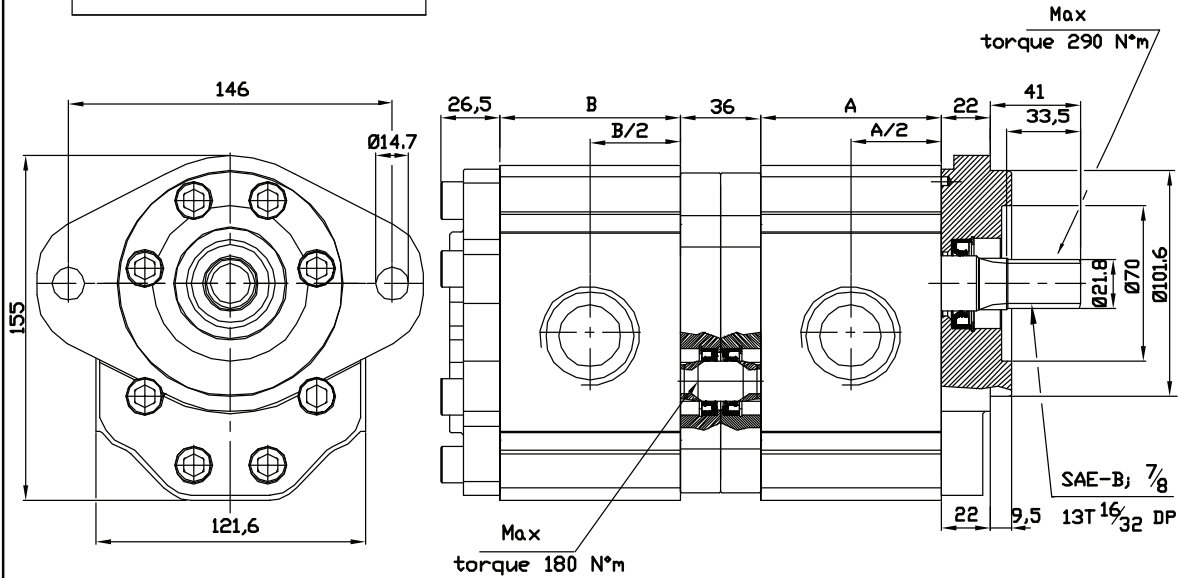
OT300 P 48 / 22 S / P 38 P3 / 2



AVAILABLE FOR QUANTITIES

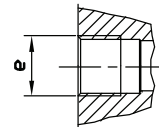
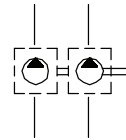
GROUP 3 PUMPS- TANDEM

VERSION: G33 S3



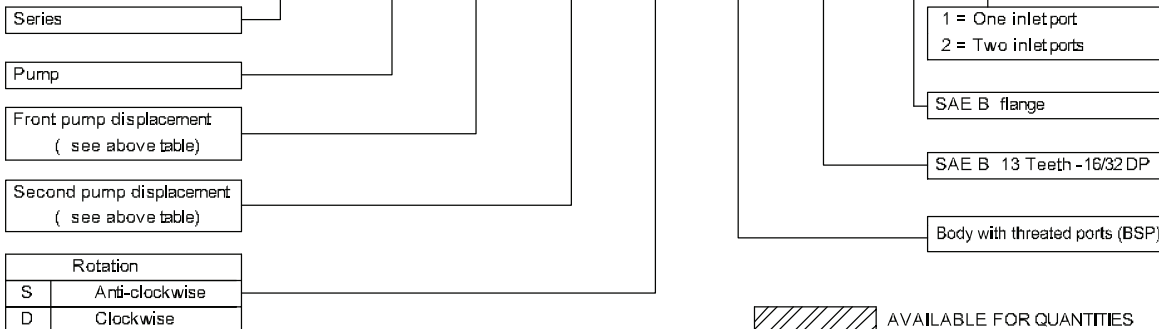
NOTE: The biggest displacement pump must be in the front position

| Type | Displacement (cc/rev) | Max working pressure P1 (bar) | Peak pressure P3 | Max speed (r.p.m) | Dimension L M | | Inlet port e | Outlet port e |
|------------|--------------------------|----------------------------------|------------------|----------------------|------------------|-------|-----------------|------------------|
| | | | | | (mm) | | | |
| OT 300 P22 | 22 | 260 | 300 | 3000 | 70,8 | 70,8 | G 1 | G 3/4 |
| OT 300 P28 | 28 | 260 | 300 | 3000 | 75,4 | 75,4 | G 1 | G 3/4 |
| OT 300 P32 | 32 | 260 | 300 | 3000 | 78,4 | 78,4 | G 1 | G 3/4 |
| OT 300 P38 | 38 | 240 | 280 | 3000 | 83,0 | 83,0 | G 1 | G 3/4 |
| OT 300 P42 | 42 | 240 | 280 | 3000 | 86,0 | 86,0 | G 1 | G 3/4 |
| OT 300 P48 | 48 | 240 | 280 | 3000 | 100,6 | 100,6 | G 1 | G 3/4 |
| OT 300 P53 | 53 | 220 | 250 | 3000 | 104,4 | 104,4 | G 1 | G 3/4 |
| OT 300 P63 | 63 | 200 | 240 | 2100 | 112,0 | 112,0 | G 1+1/4 | G 3/4 |
| OT 300 P73 | 73 | 180 | 210 | 2100 | 119,7 | 119,7 | G 1+1/4 | G 1 |
| OT 300 P82 | 82 | 170 | 200 | 2100 | 126,6 | 126,6 | G 1+1/4 | G 1 |
| OT 300 P90 | 90 | 150 | 180 | 2100 | 132,6 | 132,6 | G 1+1/4 | G 1 |



EXAMPLE OF ORDERING CODE

OT300 P 48 / 22 S / G 33 S3 / 2



AVAILABLE FOR QUANTITIES