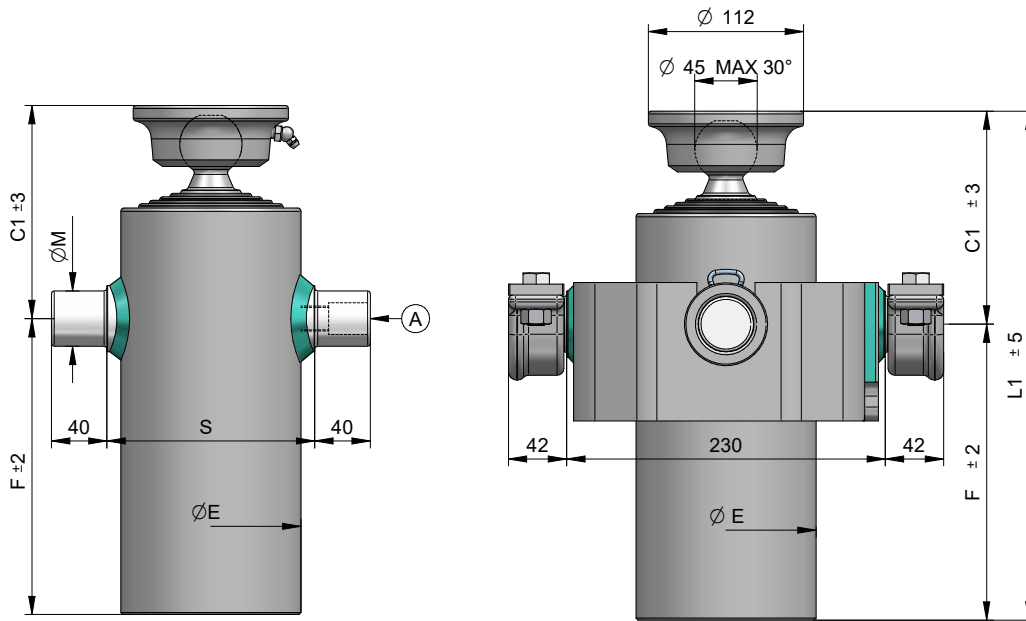
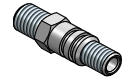


SÉRIE "K" KOMPAKT

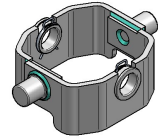


STANDARD

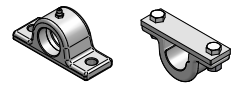


(A) 07000000 1/2 Gas

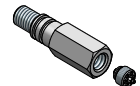
OPTIONAL



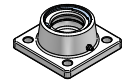
Culla03-K095
Culla03-K110
Culla03-K130



SUP035-I
SUP040-I SUP040-A



71730000 1/2 Gas



CH045-2414

PRESSIONE MAX. DI ESERCIZIO 200 BAR – WORKING MAX. PRESSURE 200 BAR
MAX. BETRIEBSDRUCK 200 BAR – МАКСИМАЛЬНОЕ РАБОЧЕЕ ДАВЛЕНИЕ 200 БАР

TIPO TYPE TYP ВИД	DISEGNO DRAWING ZEICHNUNG ЧЕРТЕЖ	CORSA – STROKE HUB – ХОД	PORTATA CAPACITY BELASTBARKEIT грузоподъемность	Ø SFILATE Ø EXTENSIONS Ø STUFEN Ø СТУПЕНИ						DIMENSIONI CILINDRO CYLINDER DIMENSIONS ZYLINDER ABMESSUNGEN РАЗМЕРЫ ЦИЛИНДРА						L. sfilata – L. extension L. stufen – L. ход ступени	Peso – Kg – Weight Bec – kr. – Gewicht	Volume oil Lt. Amount of oil Lt. Ölinhalt Lt. Объем масла л.	
				Ton. a 180 bar						C1	F	L1	ØE	ØM	S				
				32	45	60	75	90	105										
K32401S	K32401S	1010	4,8	●	●	●					149	349	498	95	35	115	405	33	3,5
K43271S	K43271S	814	6	●	●	●	●				152	214	366	115	35	140	270	22	3,6
K43321S	K43321S	1034	6	●	●	●	●				152	269	421	115	35	140	325	26	4,5
K43361S	K43361S	1174	6	●	●	●	●				152	304	456	115	35	140	360	28	5,2
K43401S	K43401S	1354	6	●	●	●	●				152	349	501	115	35	140	405	31	5,9
K54271S	K54271S	1012	7,5	●	●	●	●	●			154	214	368	130	40	150	270	36	5,6
K54301S	K54301S	1162	7,5	●	●	●	●	●			154	244	398	130	40	150	300	39	6,4
K54321S	K54321S	1287	7,5	●	●	●	●	●			154	269	423	130	40	150	325	41	7
K54361S	K54361S	1462	7,5	●	●	●	●	●			154	304	458	130	40	150	360	44	7,9
K64211S	K64211S	861	6	●	●	●	●	●			157	154	311	130	40	150	210	31	3,9
K64241S	K64241S	1041	6	●	●	●	●	●			157	184	341	130	40	150	240	33	4,8
K64271S	K64271S	1221	6	●	●	●	●	●			157	214	371	130	40	150	270	36	5,8